

EcoNordic

ART. NO. 118545, 118546

**EN**

## INSTALLATION INSTRUCTIONS

Prefab module



## Contents

1. General .....	4
1.1. Disclaimer .....	4
1.2. Manufacturer.....	4
1.3. Service and support.....	4
1.4. Waste management .....	4
1.5. Validation .....	4
2. Safety .....	5
2.1. Warnings in the manual .....	5
2.2. General safety rules.....	5
3. Transport.....	6
3.1. Components included, prefab module .....	6
3.2. Components included, expansion vessel kit .....	7
4. Description of function .....	8
5. Installation.....	9
5.1. Installing the prefab module .....	9
5.1.1. To open the door.....	9
5.2. Flow direction .....	11
5.3. Fitting the heating pipe connections .....	12
5.4. Fitting the domestic hot water pipe connections .....	15
5.5. Fitting of extra expansion vessel.....	17
5.6. Fitting the draining hose .....	19
5.7. To finalise.....	20
6. Before commissioning .....	21
7. Final check.....	23

## 1. General

Please read these instructions carefully before using the unit. Keep the instructions for future reference.

### 1.1. DISCLAIMER



#### INFO!

The right to complain will not apply if the instructions in the manual are not followed.

FLEXIT products undergo constant development, and we therefore reserve the right to change components, specifications and content in the instructions for use without prior notice.

FLEXIT is not liable or bound by the guarantee if these instructions are not followed during installation, operation and service.

FLEXIT only guarantees correct functioning of the unit with original or specified components.

Reservations are also made for any printing errors.

### 1.2. MANUFACTURER

Flexit AS, Moseveien 8, N-1870 Örje, Norway  
www.flexit.com

### 1.3. SERVICE AND SUPPORT

Please contact Flexit for any service enquiries.

### 1.4. WASTE MANAGEMENT

The product is covered by rights to claim for faulty products according to the current sales terms, provided that the product has been used and maintained correctly. The filter is consumable material.



This symbol on the product indicates that it must not be treated as household waste. Instead, it must be transported to a recycling centre which receives electric and electronic equipment. By disposing of the product correctly, you help to prevent the negative consequences to health and the environment which may result from incorrect treatment. For more information about recycling the product, contact the municipality, the recycling centre of the place of purchase.

Complaints about incorrect or defective installation should be made to the installer. The right to complain may lapse after incorrect use or gross negligence in maintaining the installation.


### 1.5. VALIDATION

These instructions apply to the accessory prefab module head unit (118545) and the kit expansion vessel DHW (118546).


## 2. Safety

### 2.1. WARNINGS IN THE MANUAL


The following types of safety instructions are used in the manual.




**DANGER!** Text in this colour means that failure to follow the instructions may result in life-threatening or serious injury.



**CAUTION!** Text in this colour means that failure to follow the instructions may result in poor utilisation rates or technical limitations in the products.




**WARNING!** Text in this colour means that failure to follow the instructions may result in material damage.




**INFO!** Text in this colour means that it contains important information.

### 2.2. GENERAL SAFETY RULES


These safety rules must be followed when you use and carry out maintenance on the system. Failure to observe them may cause injury, death or damage to the equipment.




**DANGER!** It is the installer's responsibility to carry out an overall check of the safety and function controls of the system.



**WARNING!** The product must be installed in a room with a drain.



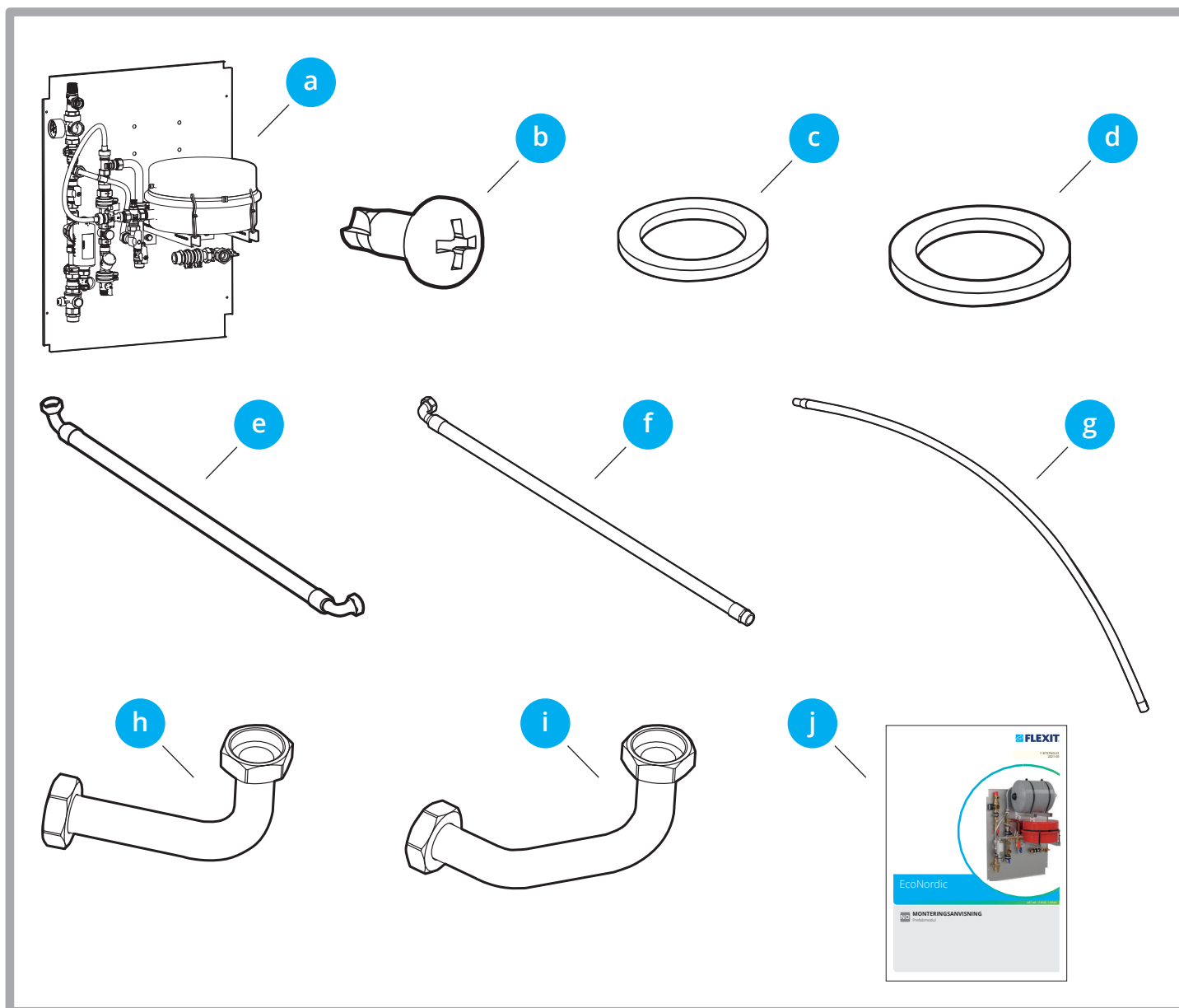
**WARNING!** All pipe-installation work must be carried out by a qualified plumber.



**WARNING!** The incoming water pressure must not exceed 0.45/4.5 MPa/Bar. If the water pressure exceeds 0.45/4.5 MPa/Bar, a pressure reduction valve (with a non-return valve) must be installed.

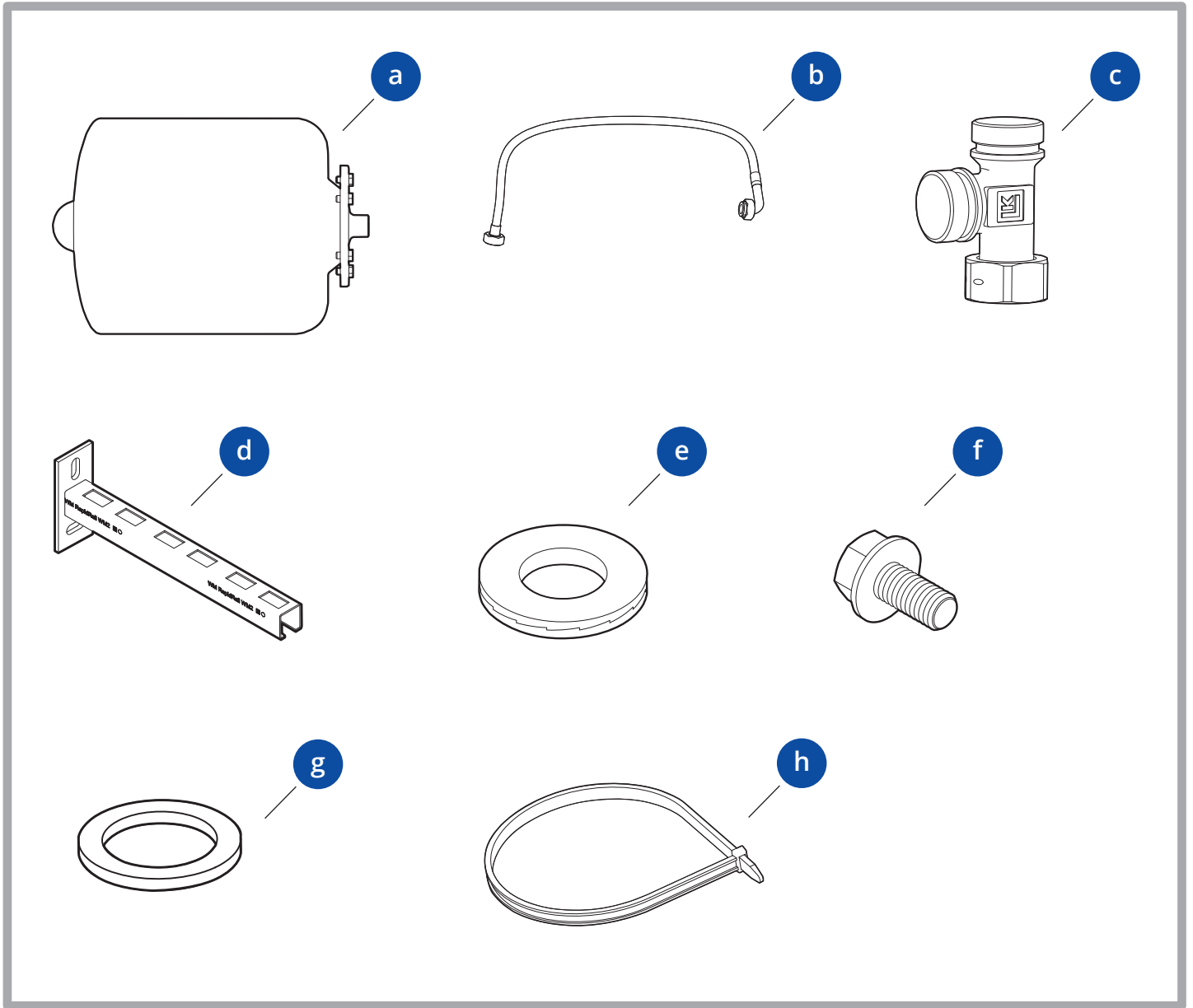
### 3. Transport

#### 3.1. COMPONENTS INCLUDED, PREFAB MODULE



Pos	Description	Quantity
a	Prefab module	1
b	Screw PH2	4
c	Gasket 3/4"	3
d	Gasket 1"	7
e	Flexible hose 3/4"	1
f	Flexible hose 1"	2
g	Drainage hose	1
h	Supply angle pipe	1
i	Return angle pipe	1
j	Installation instructions	1

3.2. COMPONENTS INCLUDED, EXPANSION VESSEL KIT



Pos	Description	Quantity
a	Expansion vessel DHW	1
b	Flexible hose 3/4"	1
c	T-pipe	1
d	Bracket	2
e	Locking washer M8	4
f	Bolt M8	4
g	Gasket 3/4"	4
h	Bundle tie	2

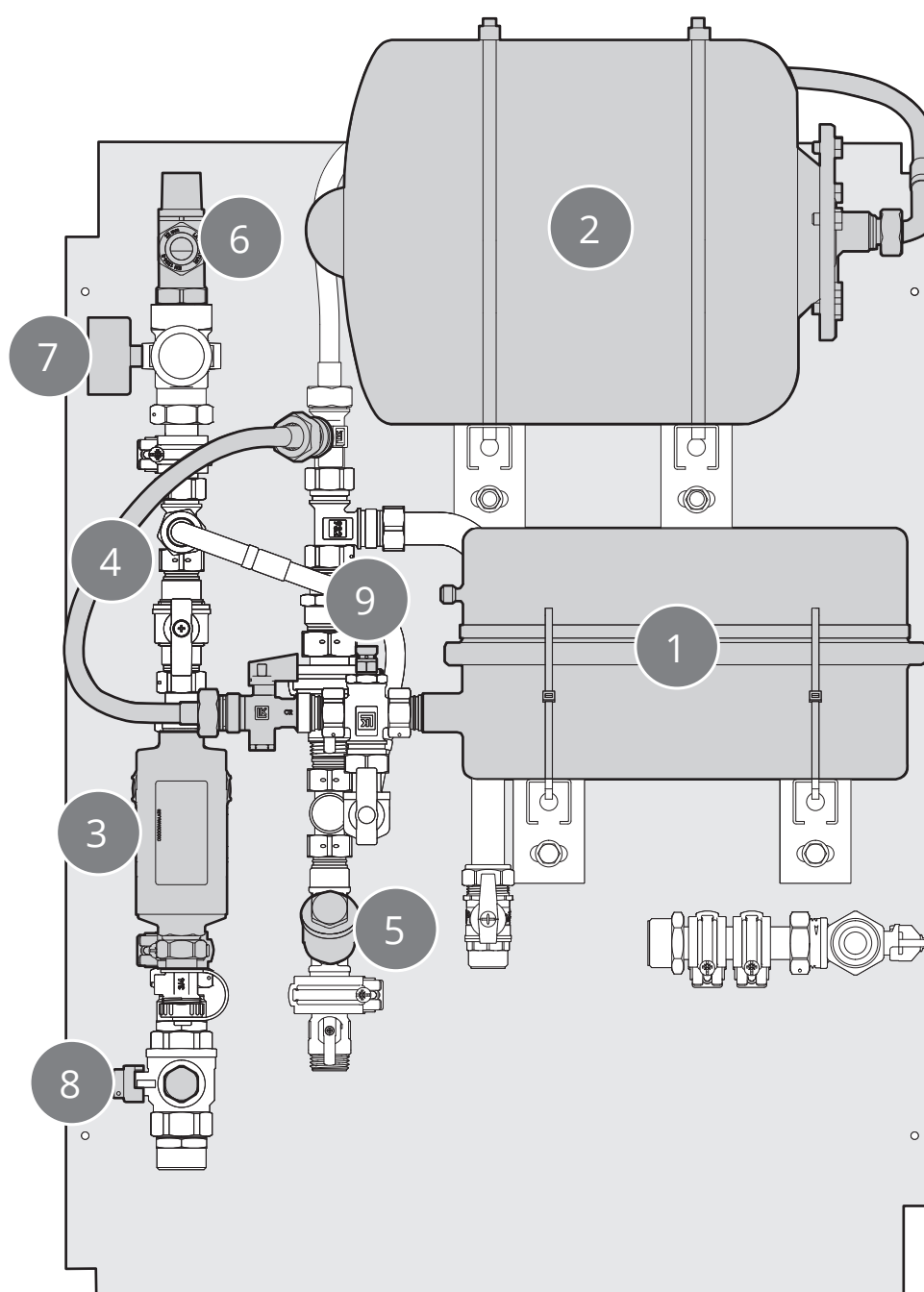
## 4. Description of function

The prefab module (118545) is a specially adapted accessory to our EcoNordic WH4. It has a mounting plate which is easily mounted on the inside of the installation module, which is fitted with most of what is required before making further installations for the distribution cabinet, heating and domestic water.

The prefab module is service-friendly and includes among other things components to control pressure levels and purity in the system.

The expansion vessel (kit) for domestic hot water (118546) is supplied as a separate accessory.

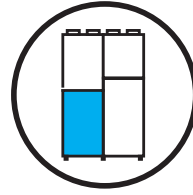
No.	Components
1	Expansion tank, heating 12 litres
2	Expansion tank, domestic hot water 18 litres
3	Magnetic filter
4	Filling, heating system
5	Coarse filter, domestic hot water
6	Safety valve, heating system
7	Pressure gauge, heating system
8	Coarse filter, return
9	Bleeding, heating system





## 5. Installation

The product is to be installed on the floor.  
Install in the following order:



### 5.1. INSTALLING THE PREFAB MODULE

#### 5.1.1. To open the door



**WARNING!**

The door is heavy – take care when lifting off.



**DANGER!**

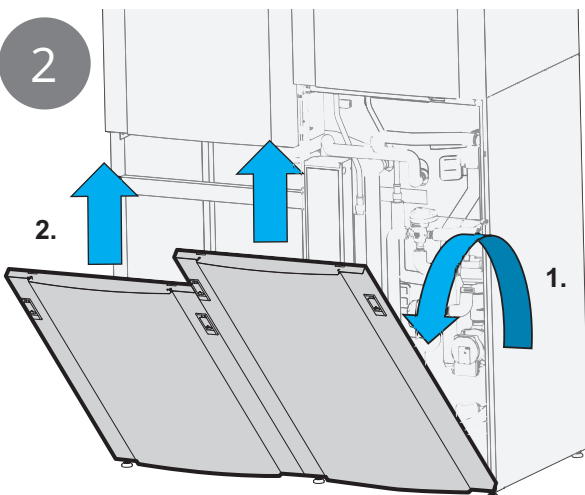
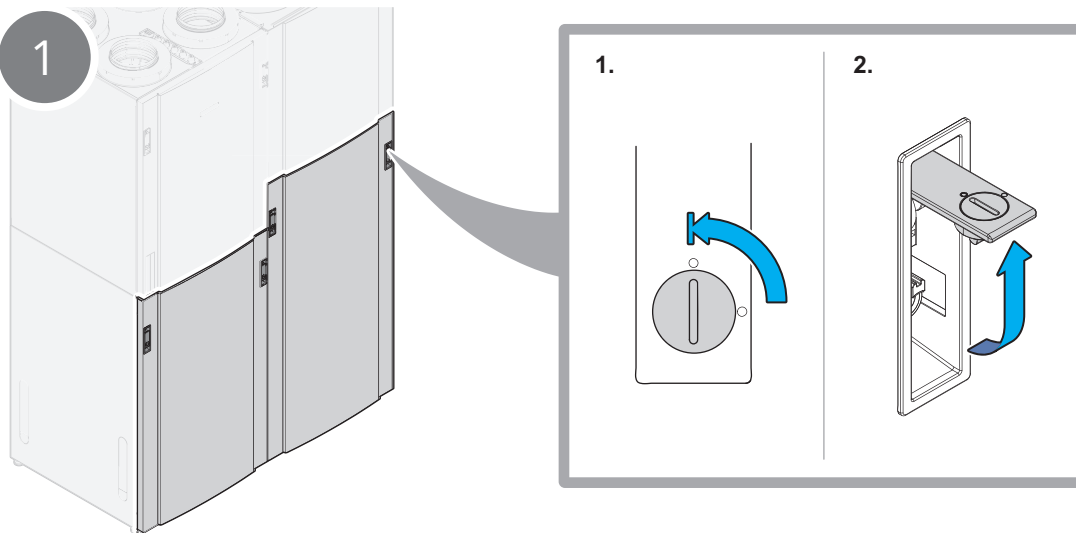
Put the product in service mode and then disconnect the power before service is performed.

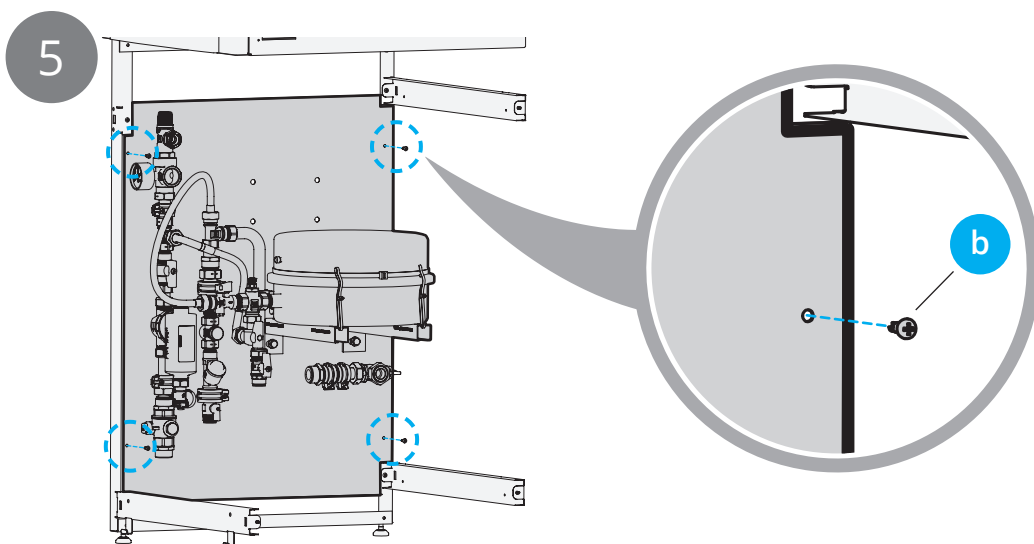
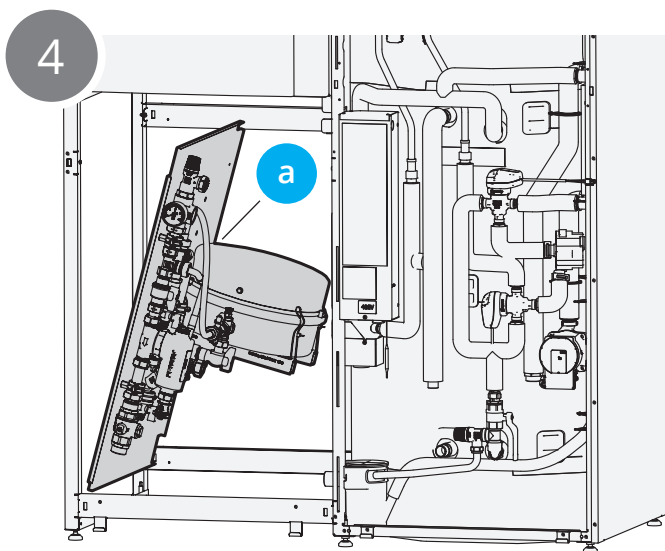
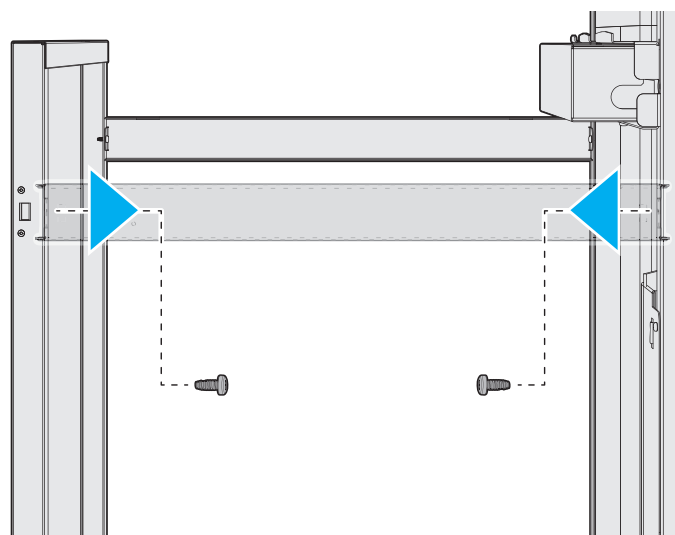
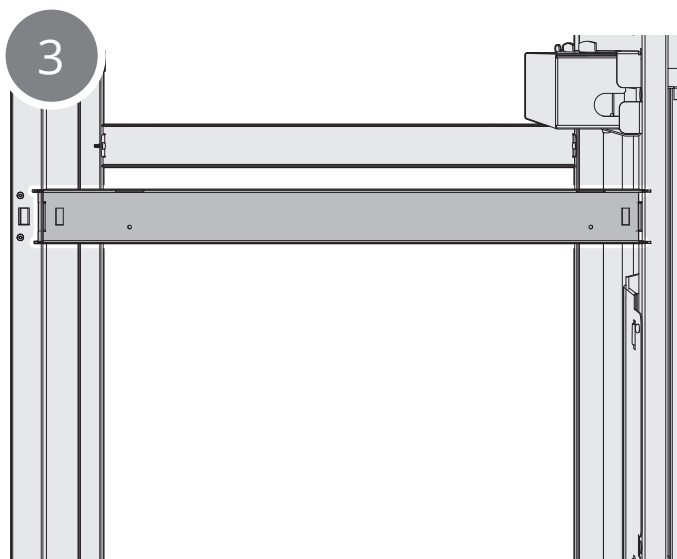
**Service mode**

1. Start the Flexit GO app and connect to the product you are servicing.
2. Go to the service page (Other > Service)
3. Select "Service mode".

The product will now carry out a controlled shut-down. The time taken may vary according to the operating mode.

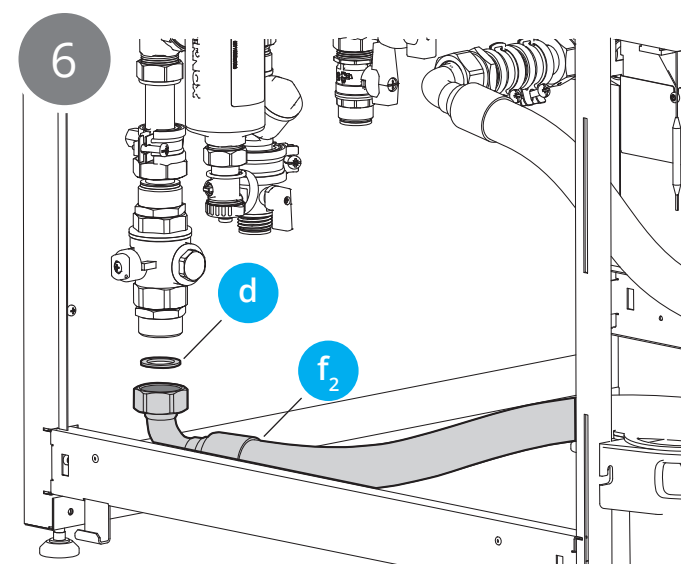
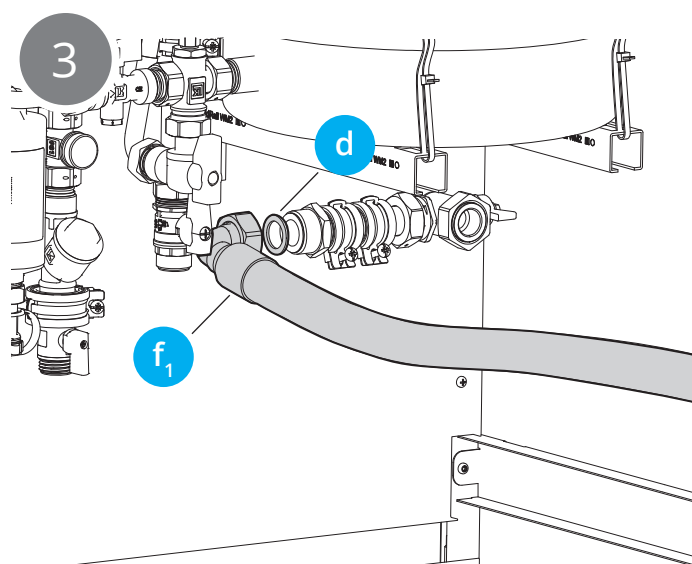
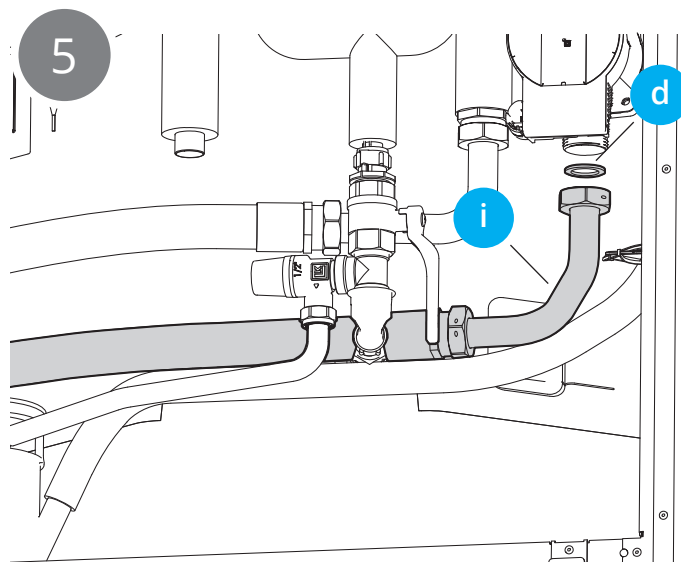
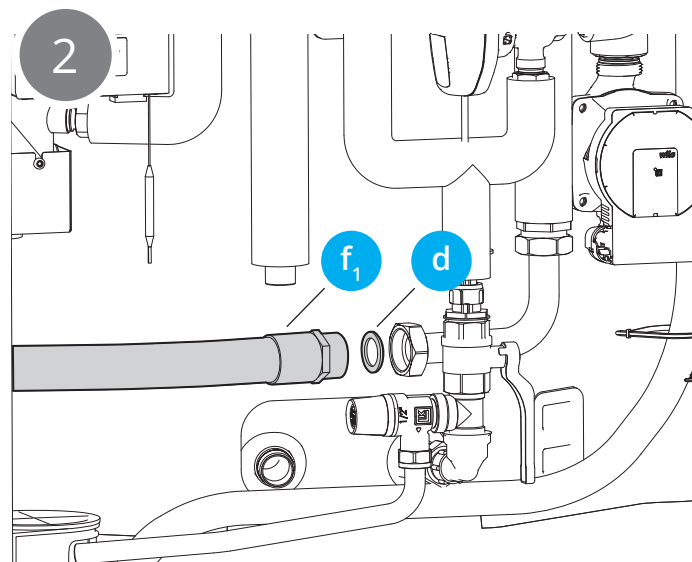
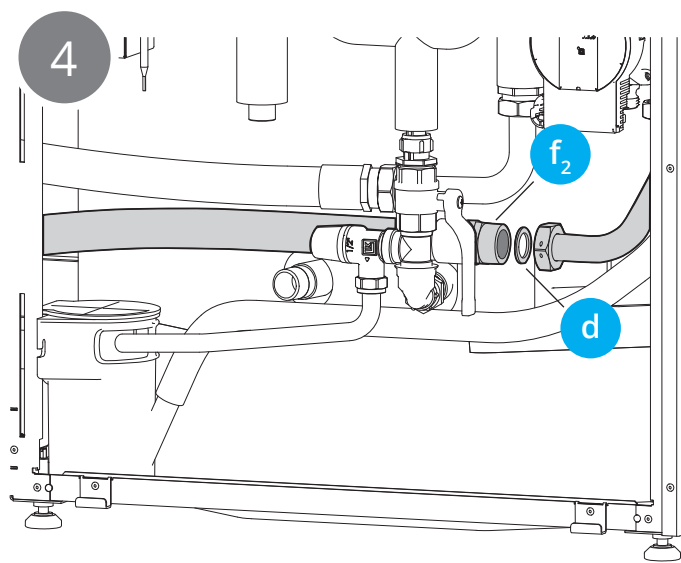
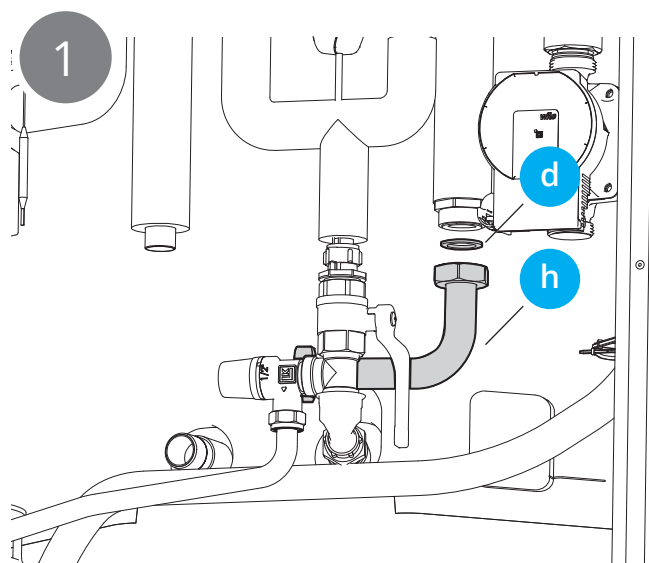
4. Switch off the all-pole cut-off device. You can now carry out the service.

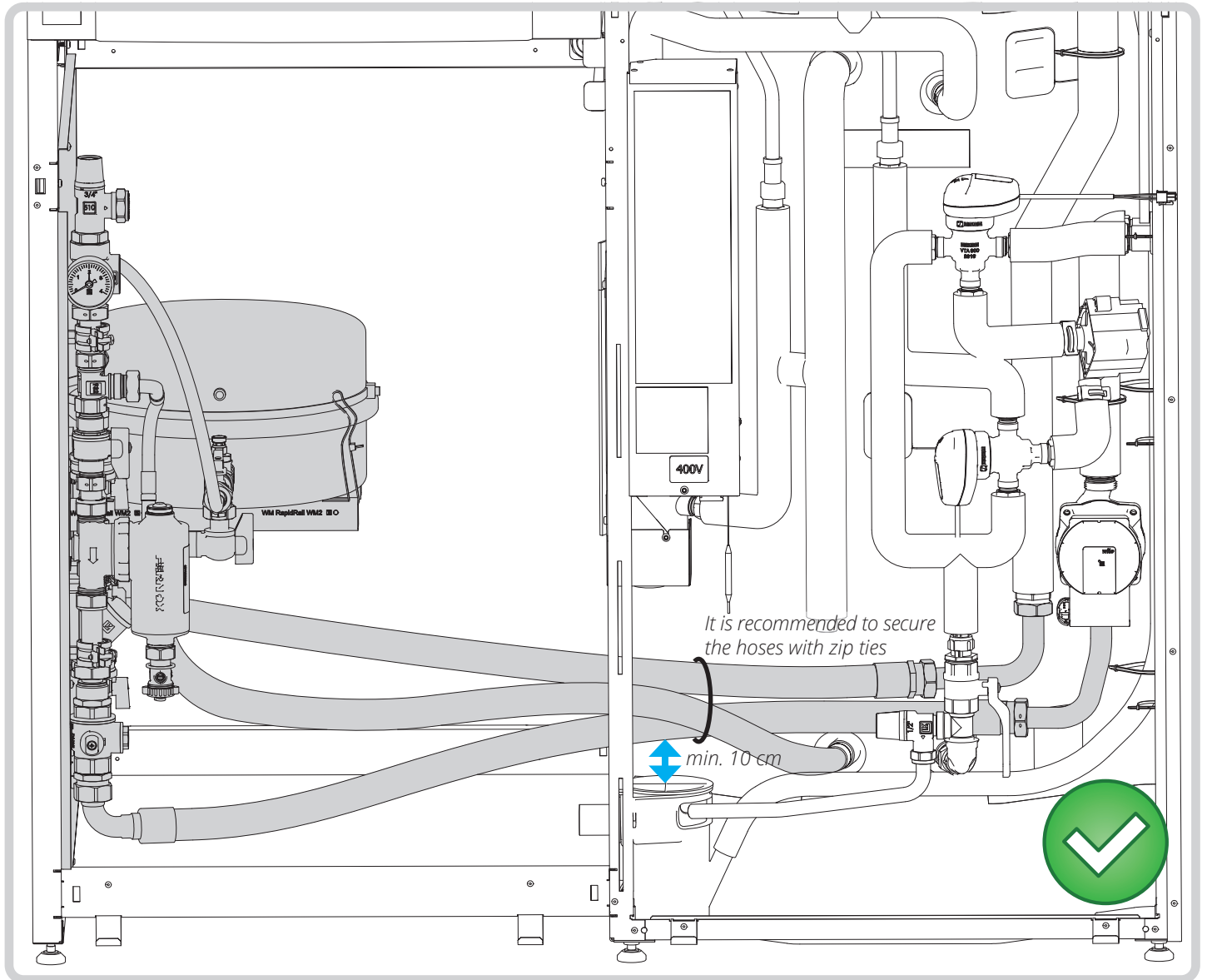


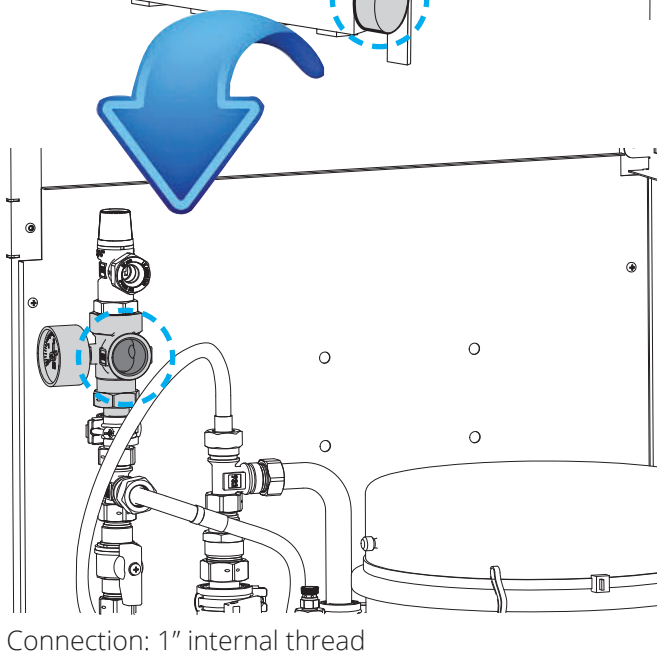
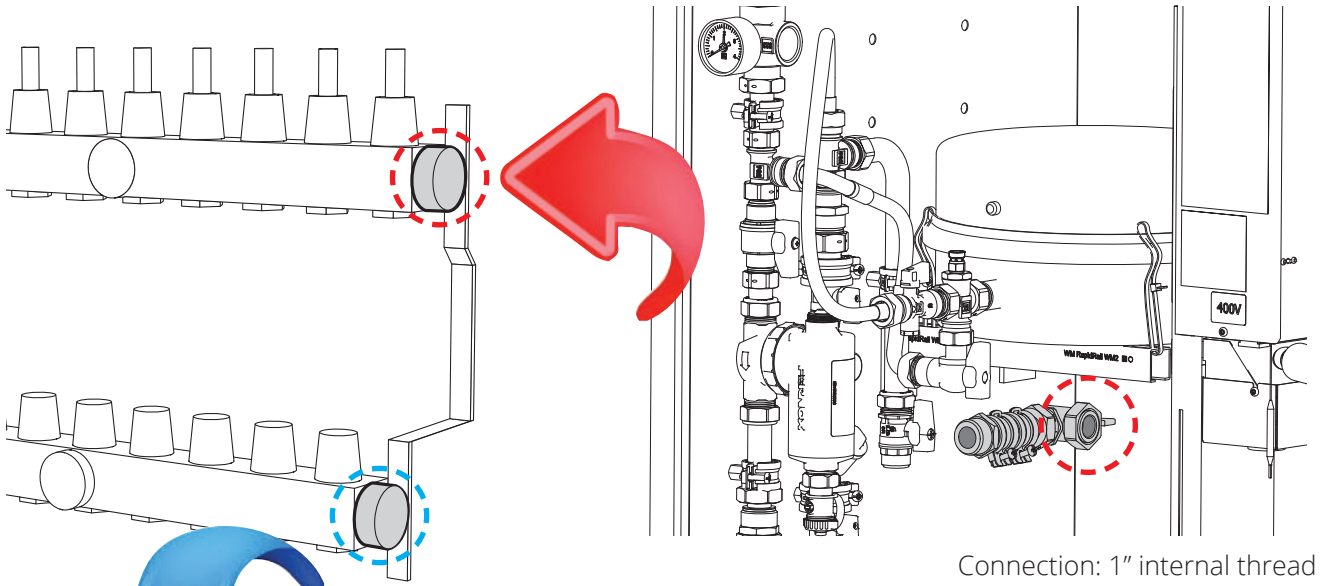




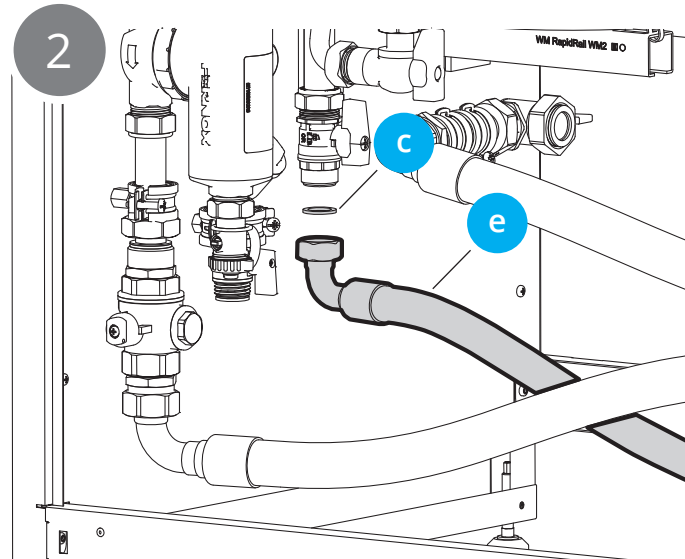
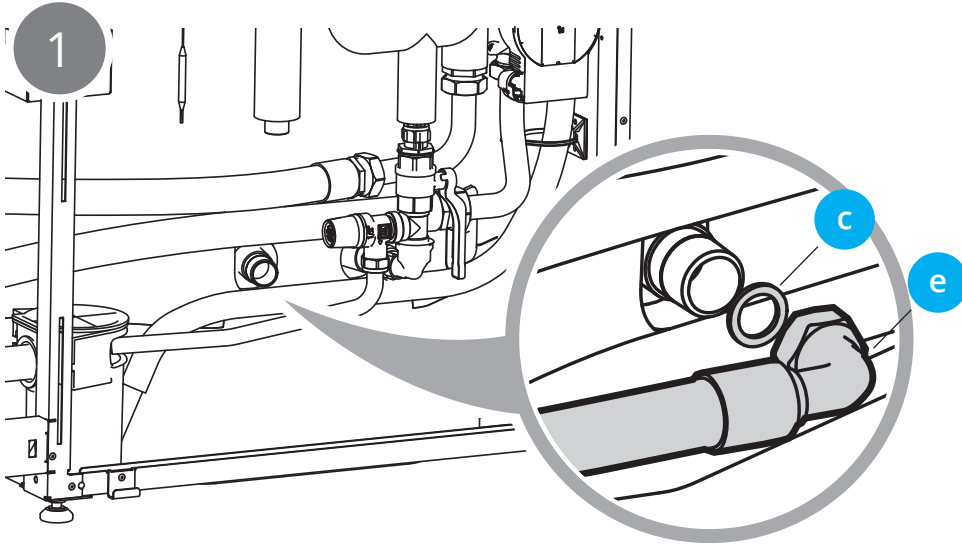
### 5.3. FITTING THE HEATING PIPE CONNECTIONS

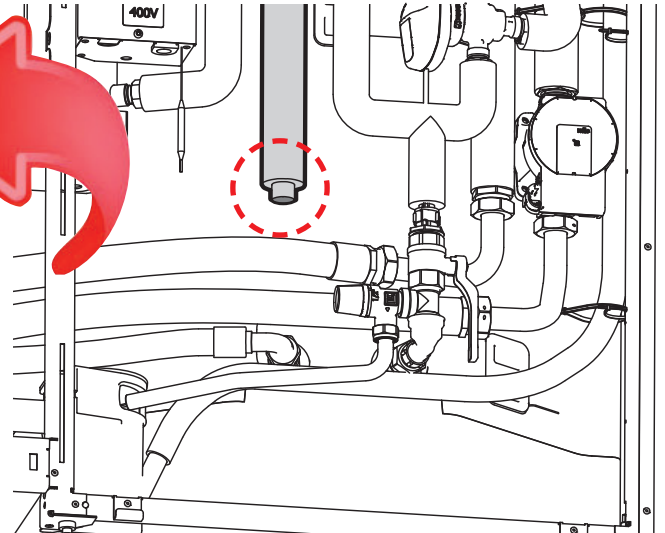
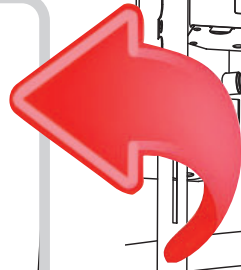
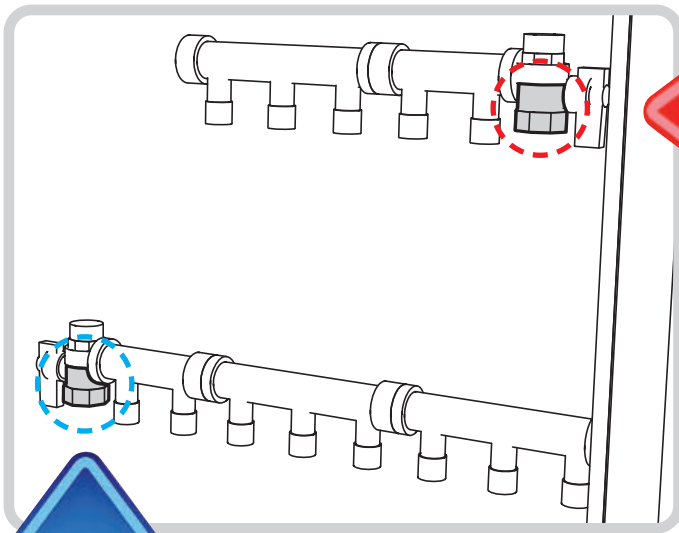




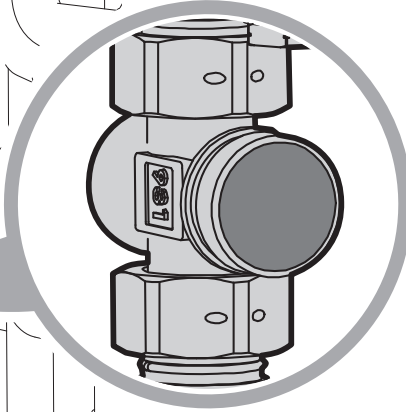
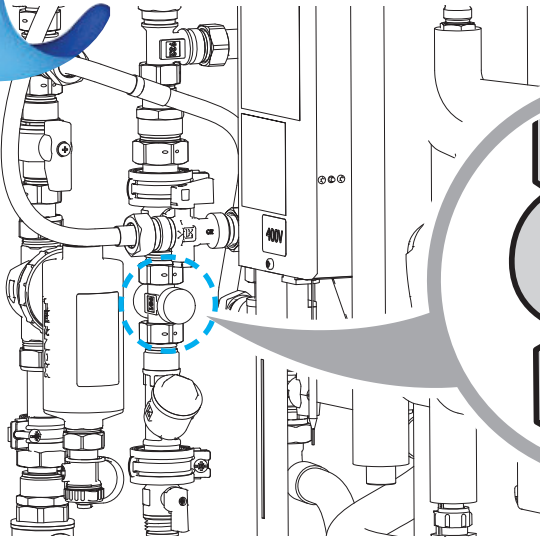


5.4. FITTING THE DOMESTIC HOT WATER PIPE CONNECTIONS

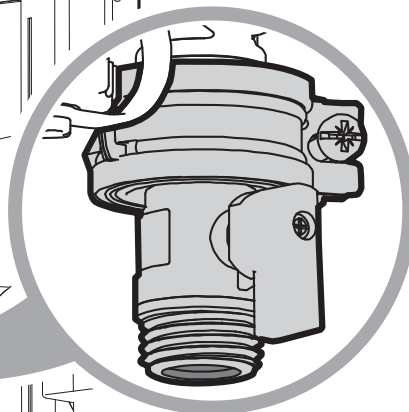
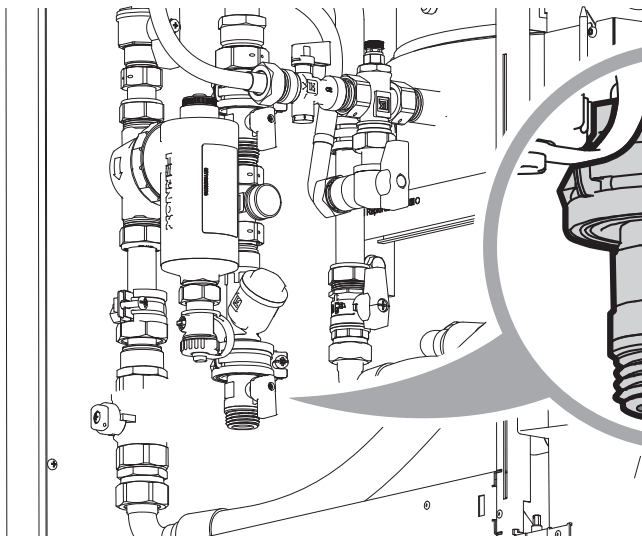




Connection: 22mm copper pipe



Connection: 3/4" external thread



Connection: incoming cold water 3/4" external thread

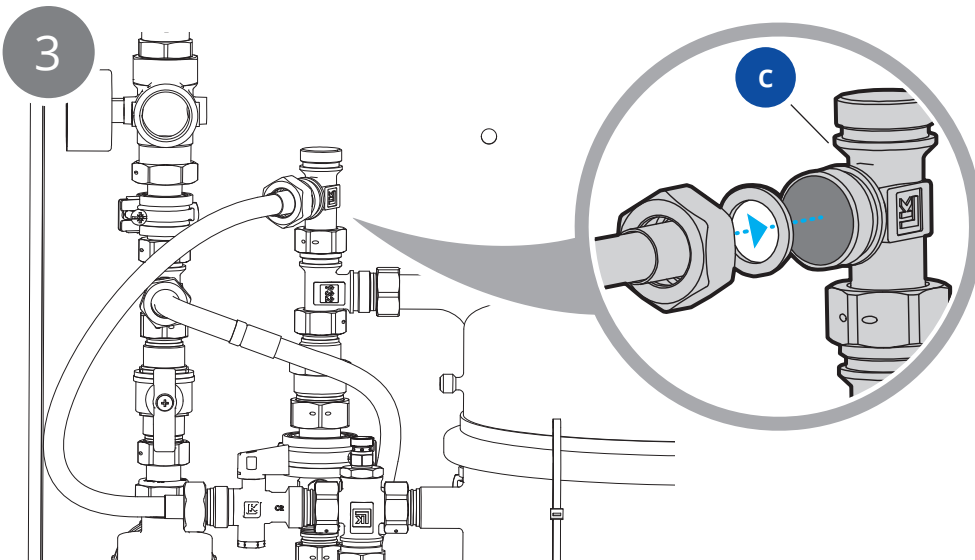
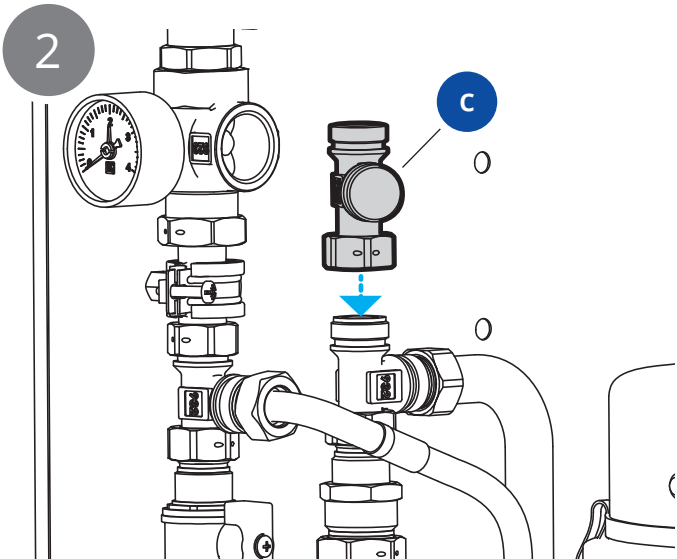
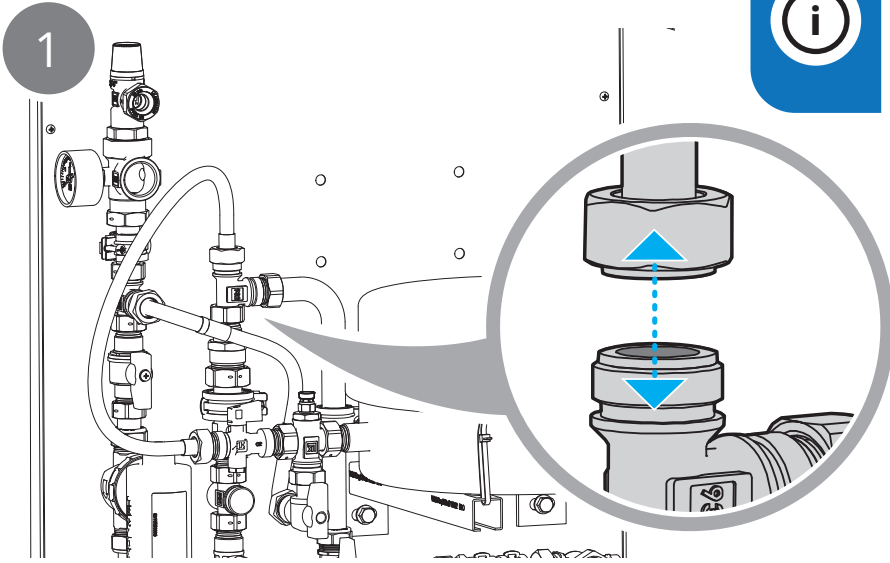


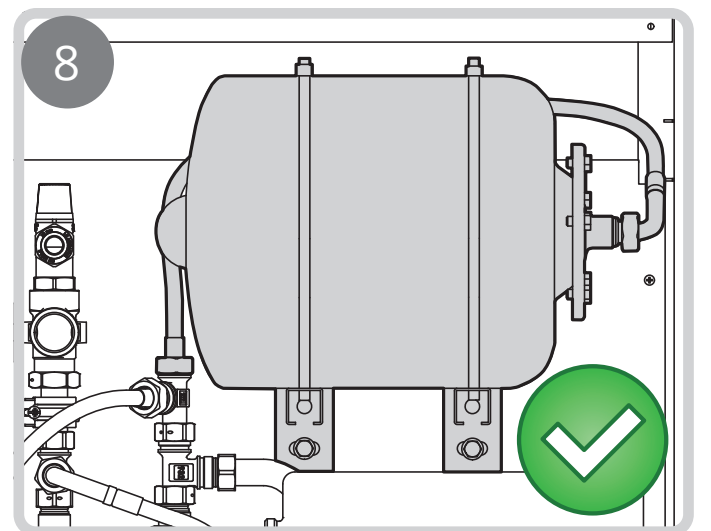
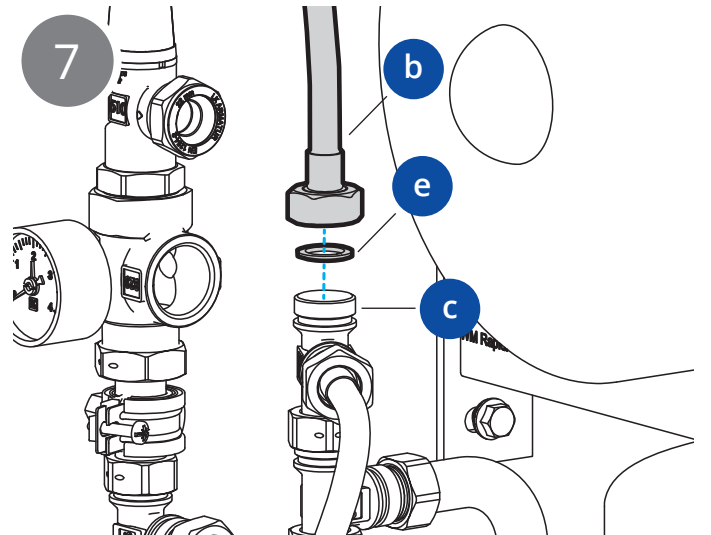
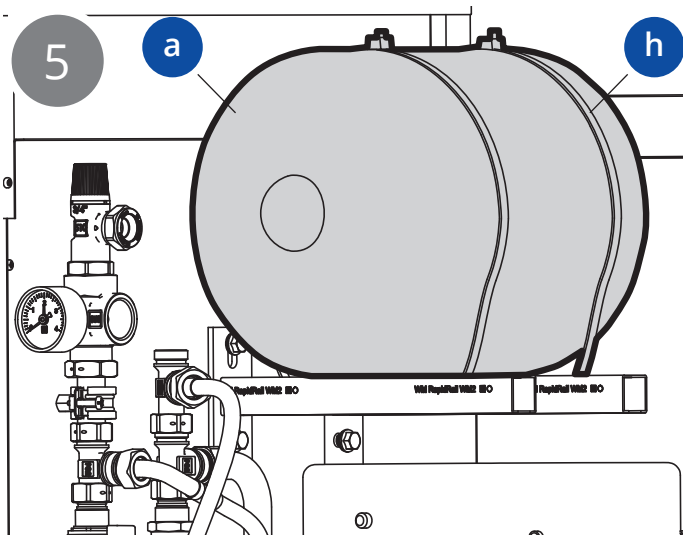
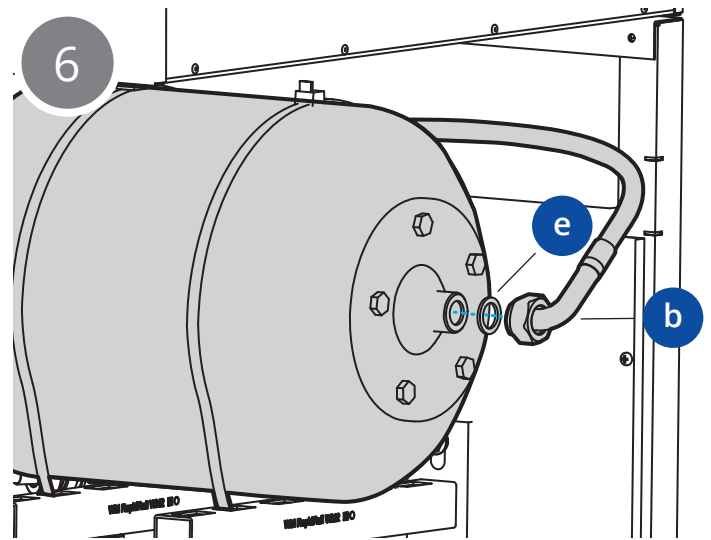
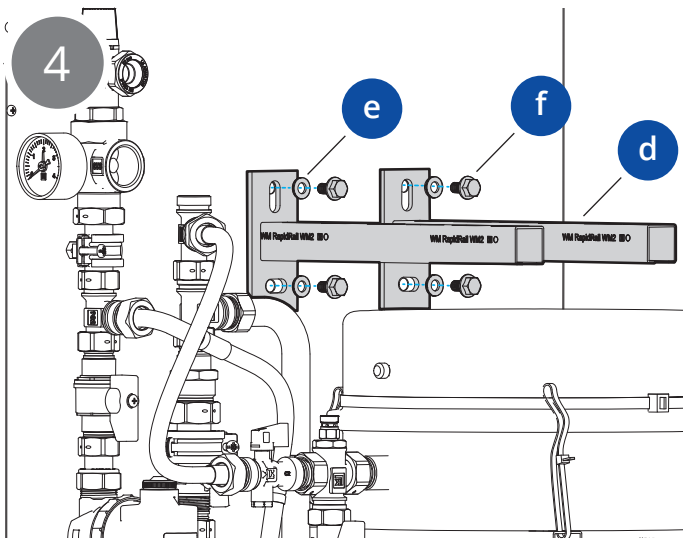
5.5. FITTING OF EXTRA EXPANSION VESSEL



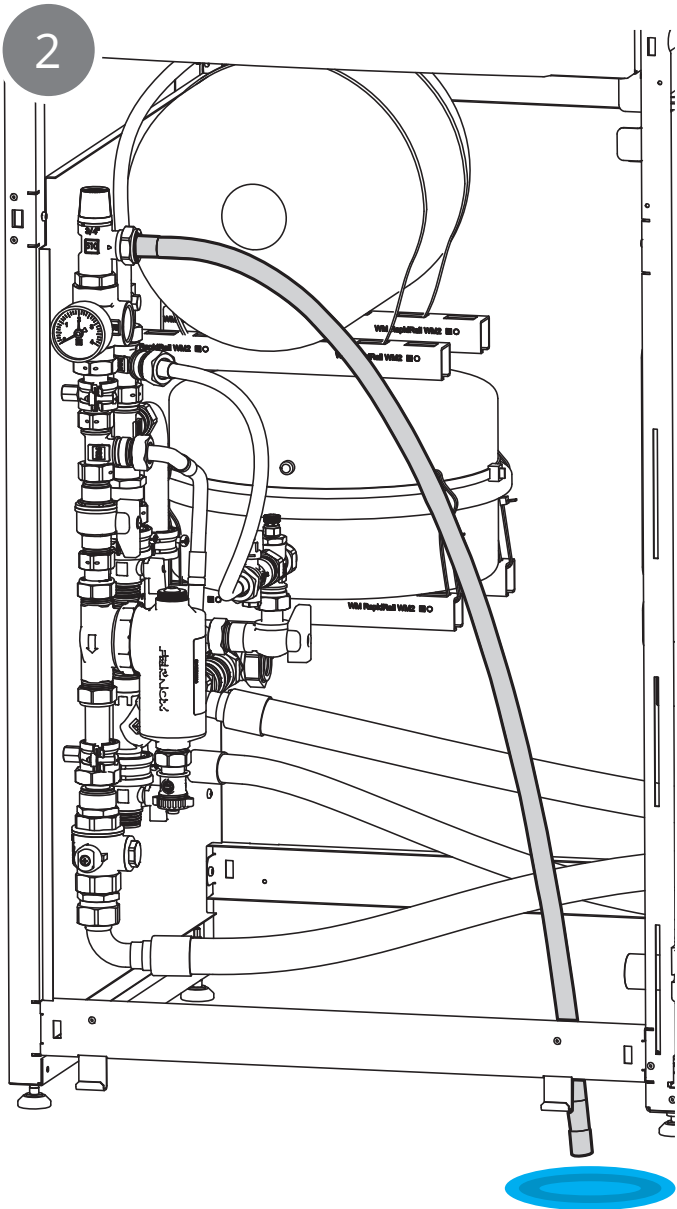
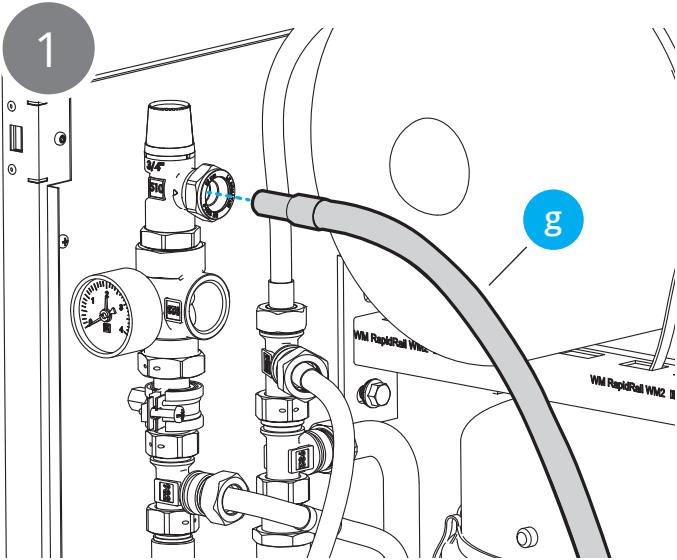
**INFO!**

If you have not bought the expansion vessel kit for domestic hot water, go on to the next section.

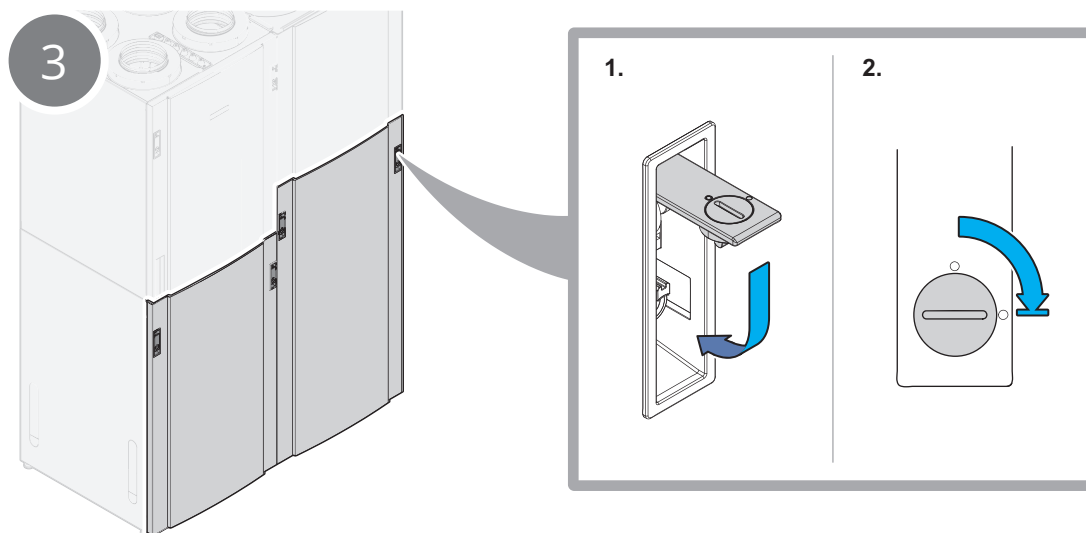
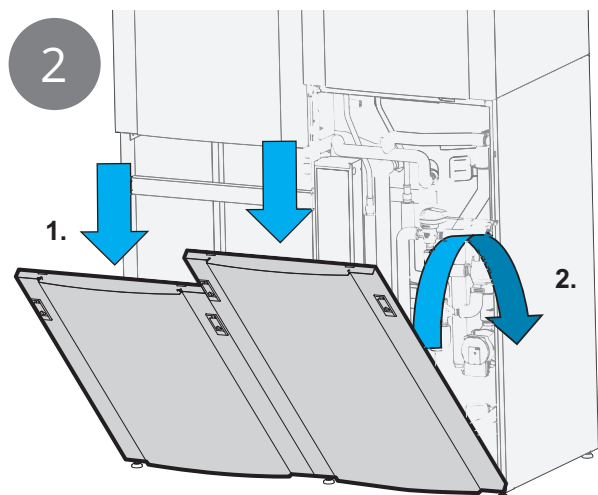
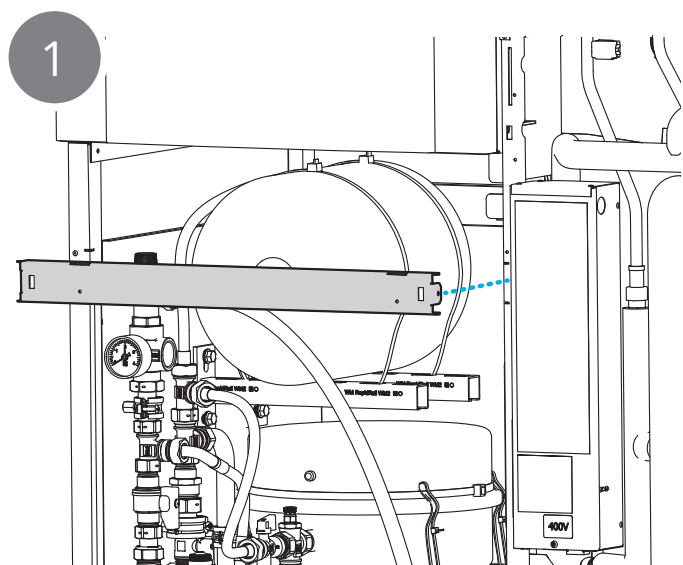




5.6. FITTING THE DRAINING HOSE



5.7. TO FINALISE



## 6. Before commissioning

### Expansion vessel for heating

Before starting to use the system, the starting pressure in the expansion vessel must be adjusted according to EN 12828. The opening pressure of the safety valve is 2.5 Bar.

The CP335-12 expansion vessel is rated for 3 Bar and is delivered with a pressure of 0.5 Bar.

### Expansion vessel for domestic hot water

The module consists of an expansion vessel for domestic hot water. The pressure rating is 10 Bar, and the pressure is set at the factory at 2.5 Bar. The starting pressure must be adjusted according to EN 12828.

### Filling/Venting/Check for leaks

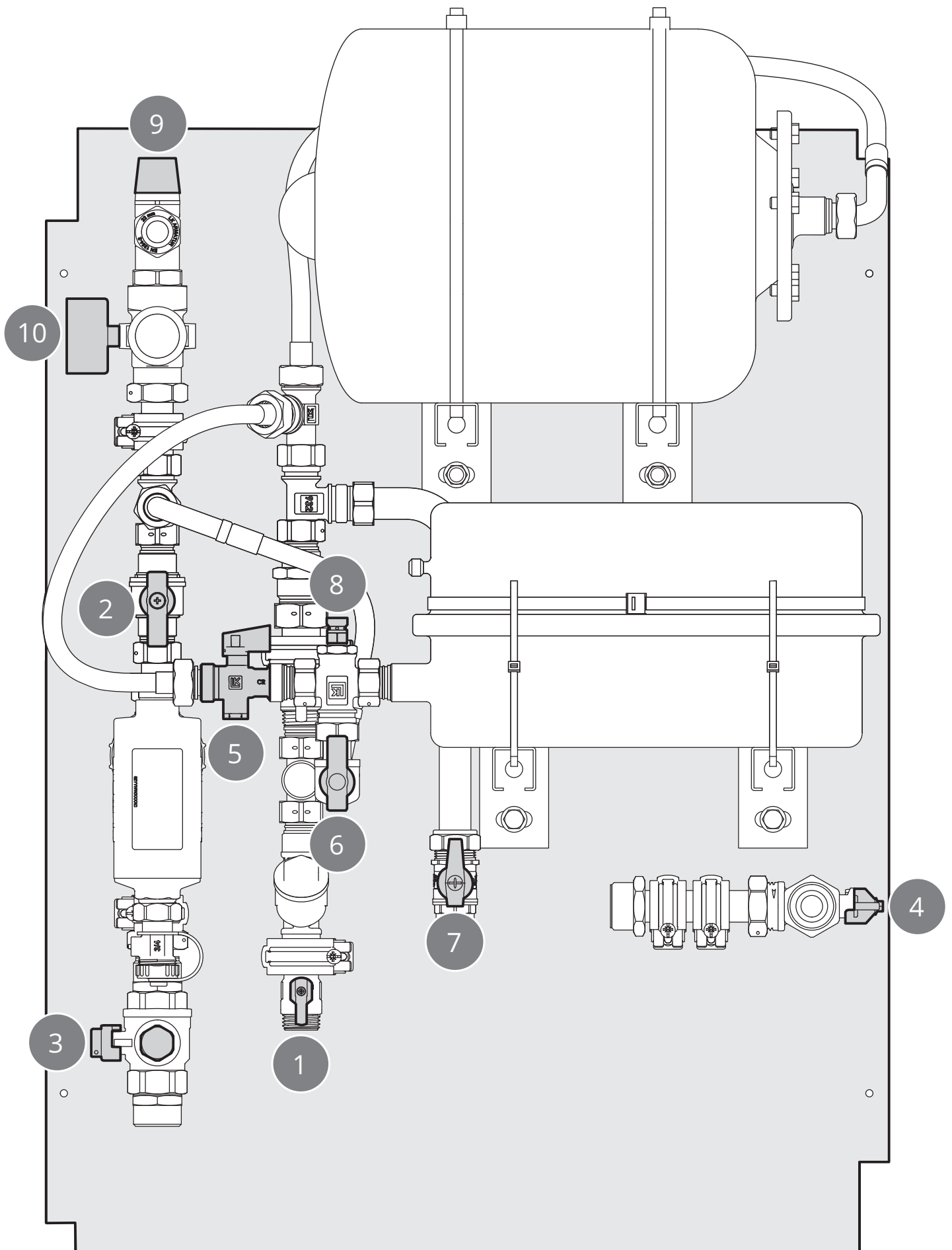
Before filling the domestic hot water and heating system. Follow chap. "6. Commissioning" (installation instructions for EcoNordic).

Then begin by opening the valve **1-7** (follow the drawing). Ensure that the pressure is set at 1.5 Bar for the heating system (figure **10**), then close valves **5**. Vent the system through the venting nipple (figure **8**) and safety valve (figure **9**).

Check that the pressure remains at 1.5 Bar after venting. If the pressure level has dropped, it must be filled again: to do this open valves **5** again.

Then check that there are no leaks at the connections. Vent finally by turning on a thread at one of the drawing-off points for hot water in the house.

Flexit gives no guarantee for any leaks that may occur during the filling process.



## 7. Final check

Check the following items:

Description	Completed ✓
Check that the starting pressure for heating expansion is correct. Note this also on the marker label on the expansion vessel, with date and inspector.	<input type="checkbox"/>
Then check that the starting pressure for domestic hot water is correct. Note this also on the marker label on the expansion vessel, with date and inspector.	<input type="checkbox"/>
Then check that there are no leaks.	<input type="checkbox"/>
Then check that the safety valve is not dripping continually.	<input type="checkbox"/>
Check the filters for both the heating system and incoming cold water (approx. 24 hours after starting up).	<input type="checkbox"/>



**INFO!** It is important that individual components of the function are not removed; if they are removed, none of the guarantees apply.

The product is listed in the database for building products that can be used in Nordic Swan Ecolabelled buildings.



Flexit AS, Moseveien 8, NO-1870 Ørje  
[www.flexit.com](http://www.flexit.com)