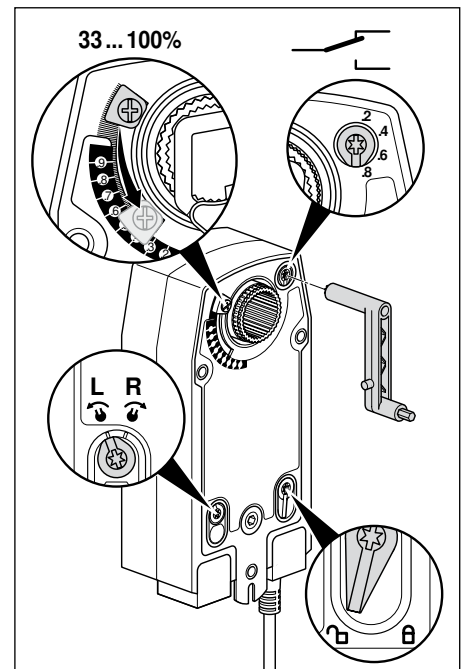
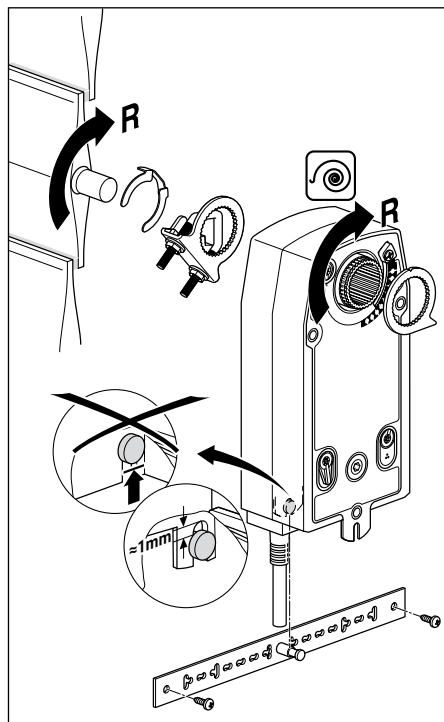
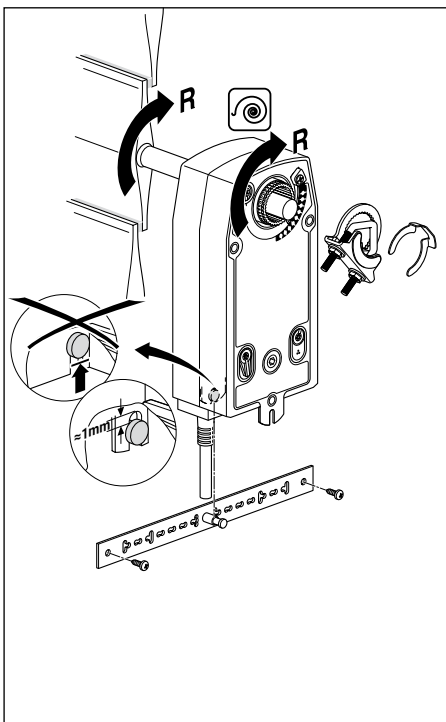
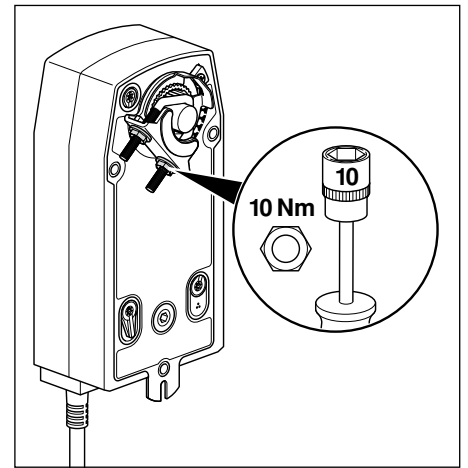
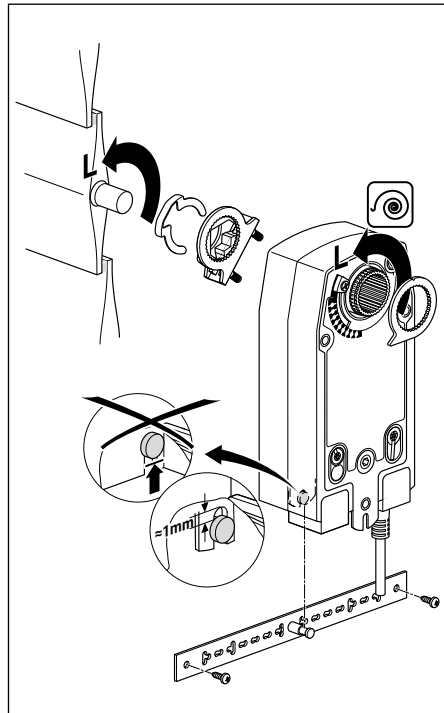
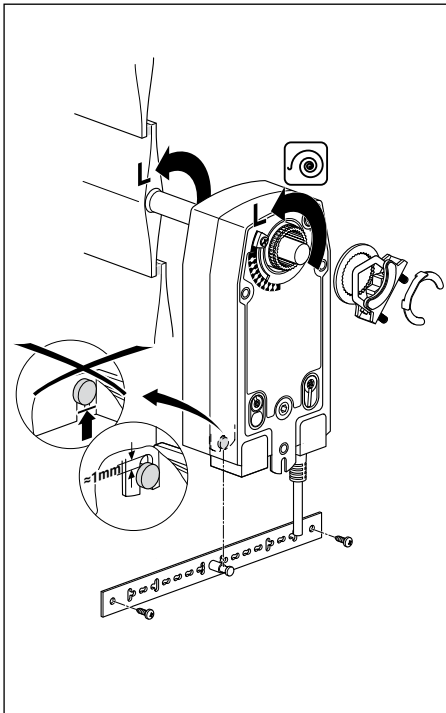
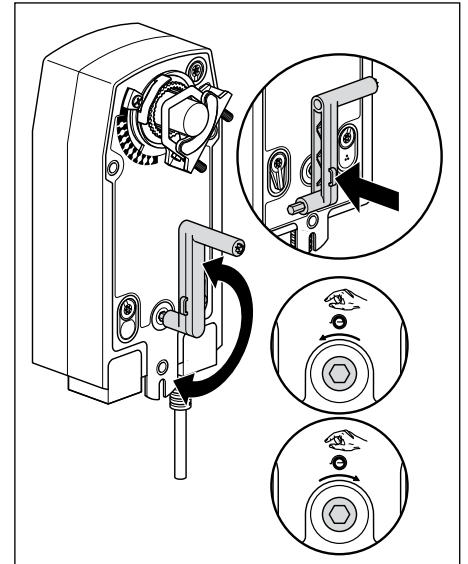


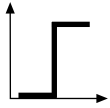
A

10...22	10	14...25.4	
19...25.4	12...18		

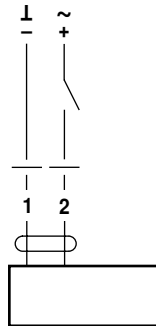
B

10...22	10	14...25.4	
19...25.4	12...18		

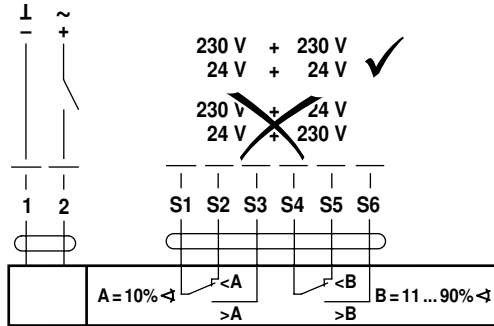




AC 24 V / DC 24 V



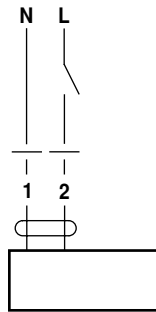
..F24A



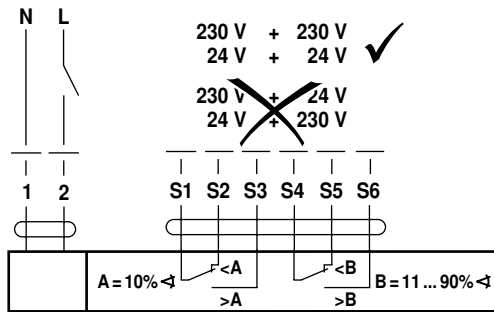
..F24A-S2

230 V + 230 V ✓
 24 V + 24 V ✓
~~230 V + 24 V~~
~~24 V + 230 V~~

AC 230 V



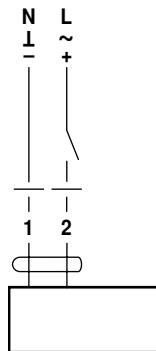
..F230A



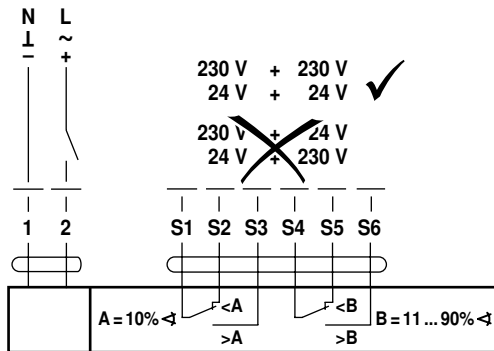
..F230A-S2

230 V + 230 V ✓
 24 V + 24 V ✓
~~230 V + 24 V~~
~~24 V + 230 V~~

AC 24...240 V / DC 24...125 V

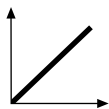


NFA
SFA

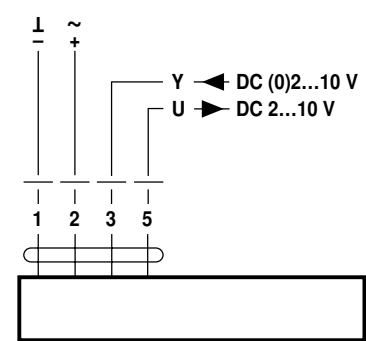


NFA-S2
SFA-S2

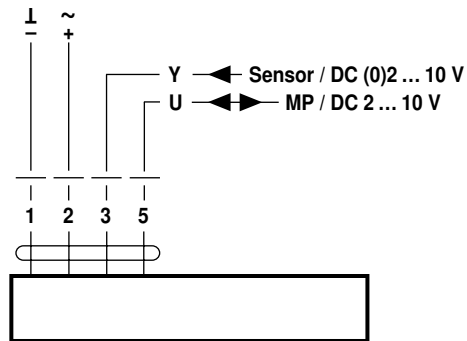
230 V + 230 V ✓
 24 V + 24 V ✓
~~230 V + 24 V~~
~~24 V + 230 V~~



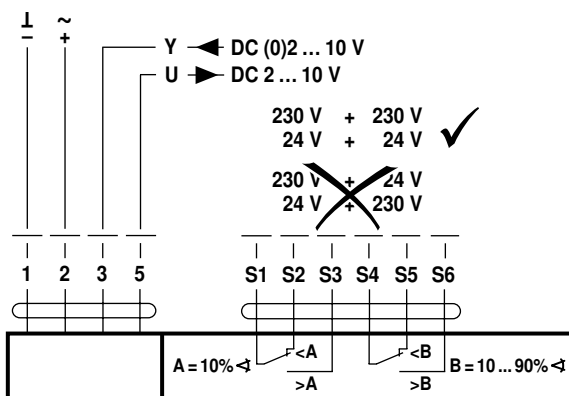
AC 24 V / DC 24 V



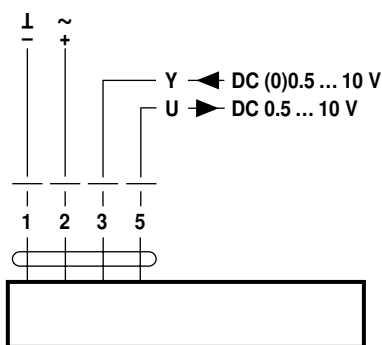
..F24A-SR
..F24A-MF



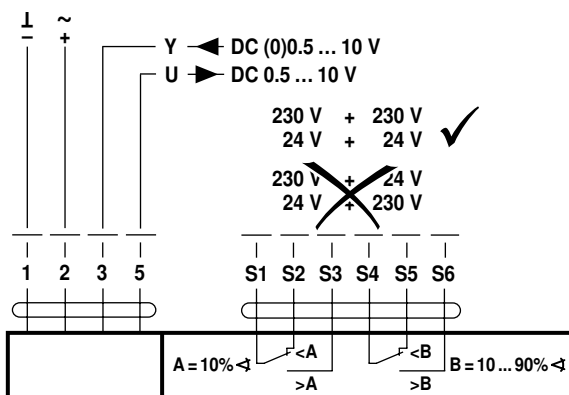
..F24A-MP



..F24A-SR-S2



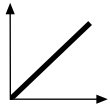
..F24A-SZ



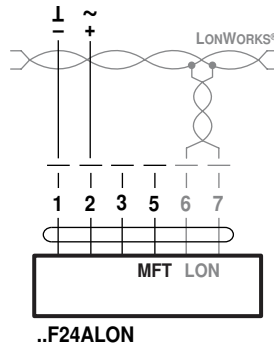
..F24A-SZ-S2

Y = 0	Y = 0	Y = 0	Y = 0

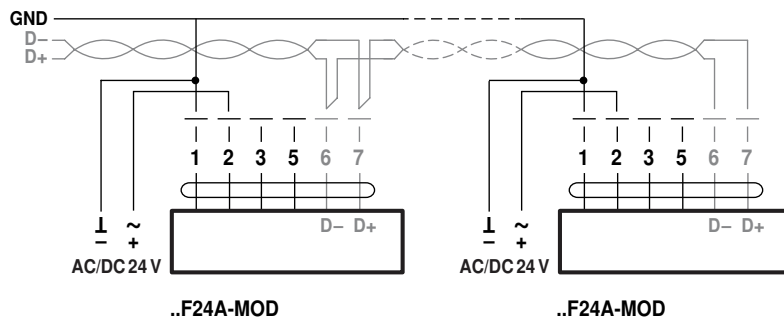
- ..F24A-SR
- ..F24A-SR-S2
- ..F24A-SZ
- ..F24A-SZ-S2



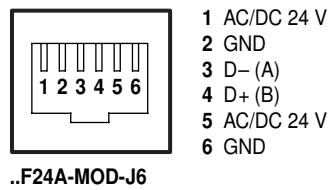
AC 24 V / DC 24 V



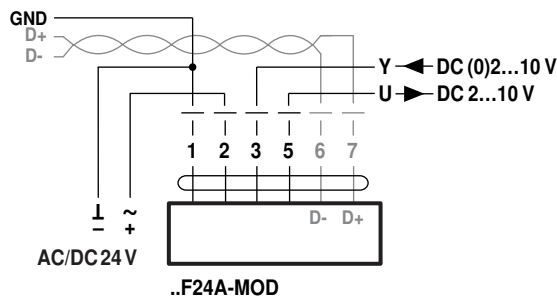
BACnet MS/TP / Modbus RTU

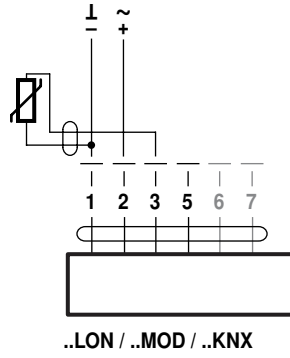


BACnet MS/TP / Modbus RTU / analog



BACnet MS/TP / Modbus RTU / analog





Ni1000	-28...+98°C	850...1600 Ω ²⁾
PT1000	-35...+155°C	850...1600 Ω ²⁾
NTC	-10...+160°C ¹⁾	200 Ω...60 kΩ ²⁾

