



Flow ELITE

Elegant and smart

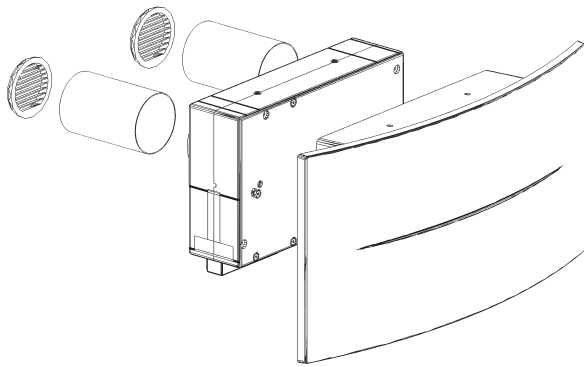
FlowELITE is equipped with a humidity sensor, CO₂ and VOC sensors, Color Trust technology, LED lighting kit and mobile app control. Like the other Flow models, it ensures superior heat recovery and pollutant filtration performance, also adding advanced features that enable it **to blend into room decor, providing comfort and well-being.**

The design cover incorporates **dimmable and timer-controlled LEDs** on the sides to create atmospheric accessory lighting, particularly suitable for living room installations. Operation is automatically regulated by the **humidity, CO₂ and VOC sensors**, to prevent excessive pollutant concentrations, increase air renewal and improve oxygenation.



*Healthy air
at your fingertips
with the app*

The Color Trust light sensor reports the air quality in the home, informing the user intuitively when indoor pollutant values are ideal or too high. The Air Guard app makes HRV even easier to use by allowing the **integrated management of Heat Recovery Ventilation (HRV) systems** and also providing air quality values from sensors.



Sensors for automatic humidity, CO₂ and VOC management



Thanks to the supplied infrared remote control, it is easy to operate from anywhere in the room.



Dimmable LED lighting kit.



91%

Heat recovery efficiency



18 dB(A)

Sound pressure



42 m³/h

Maximum air flow



F7+G4

Air intake filtration



-37.9 kWh/m²a

SEC energy consumption (temperate climate)

Technical data

Energy efficiency class **A**

Specifications	UoM	Value
Air flow rate	m ³ /h	10/17/26/37/42 ⁽¹⁾
Flow adjustment		4 stages + hyperventilation
Power consumption (excluding LED lighting)	W	3.6/5.5/9/17.5/20 ⁽¹⁾
Specific Power Input (excluding LED lighting)	W/m ³ /h	0.35/0.32/0.35/0.49/0.48 ⁽¹⁾
LED lighting consumption	W	12
Power supply voltage	V AC	230
Operating voltage ⁽²⁾	V DC	24
Max. current consumption ⁽³⁾	A	0.17
Weight	kg	6
Product dimensions (horizontal W x H x D)	mm	695 x 353 x 152
Core-drilled holes	mm	2x Ø80
Heat exchanger		enthalpy with cross-flow countercurrent
Heat recovery efficiency	%	91
Sound power level ⁽⁴⁾	dB(A)	29.5/34.9/42/50.7
Sound pressure ⁽⁵⁾	dB(A)	18/23.4/30.5/39.2
Facade noise abatement Dn, e, w	dB	45
Filters (intake / extraction)		F7+G4 / G2
Modbus RTU rs485		Yes ⁽⁶⁾
Energy efficiency class (cold / temperate / hot)		A+ / A / E
SEC (cold / temperate / hot)	kWh/m ² a	-74.1 / -37.9 / -14.6
Unit type		UVR-B bidirectional
Specific Power Input SPI ⁽⁷⁾	W/(m ³ /h)	0.35
Internal leakage rate ⁽⁷⁾	%	0.8
External leakage rate ⁽⁷⁾	%	0.9
Air flow sensitivity (variations +20 Pa to -20 Pa)		Class S1
Internal/external air tightness		Class S1

1. In hyperventilation mode
2. The use of the supplied power supply allows power to be supplied at 230 V AC. To be connected during installation.

3. With 230 V AC supply voltage
4. According to UNI 3744:2010
5. Measured in a 30 m² semi-anechoic environment at a distance f 3 m

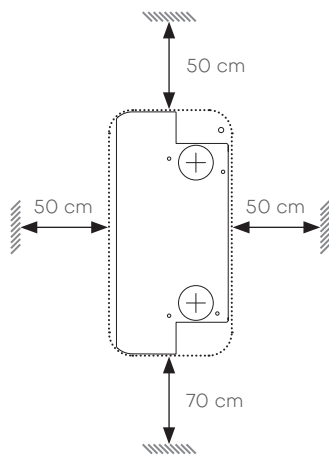
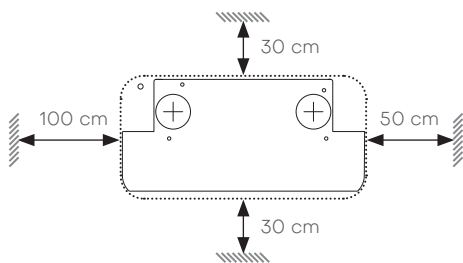
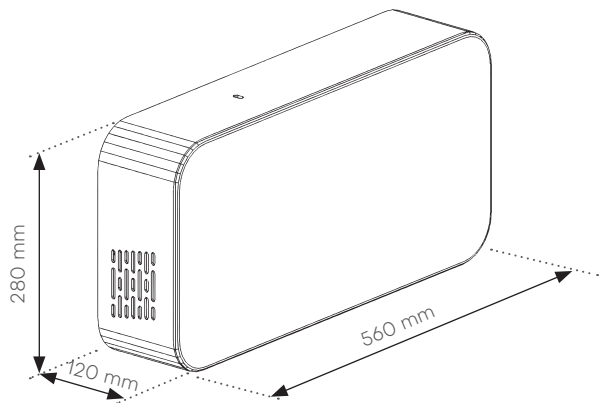
6. This excludes control via the panel interface
7. In accordance with EN 13141-8:2014-09

.....

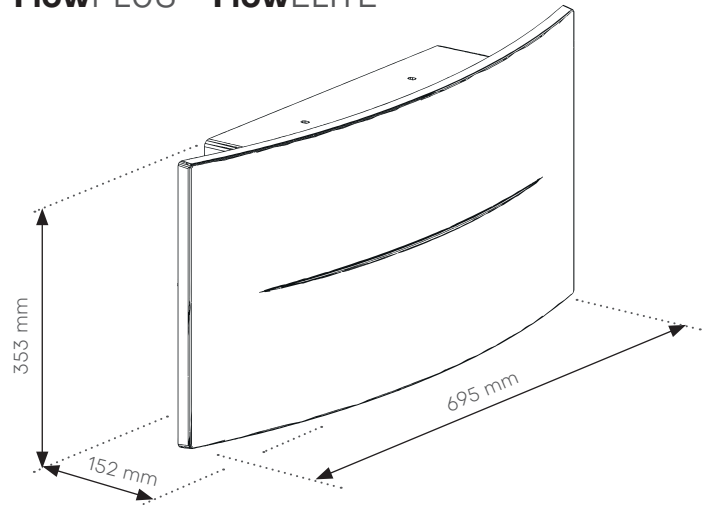


Flow wall-mounted HRV dimensions

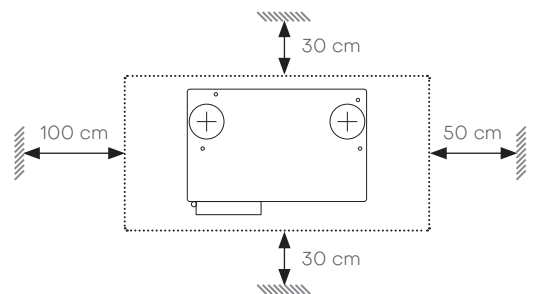
FlowEASY



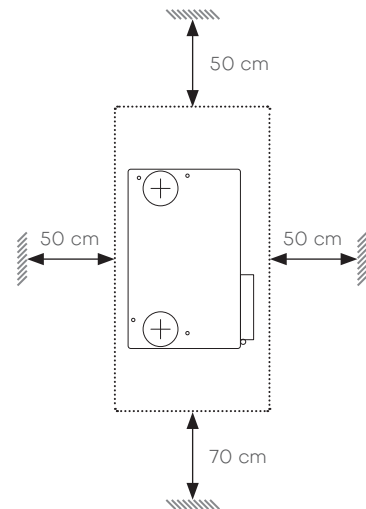
FlowPLUS - FlowELITE



Horizontal orientation



Vertical orientation



Flow wall-mounted HRV installation

Wall-mounted HRV systems allow plug-and-play installation. Fitting requires two small 80-mm core-drilled holes in the masonry, inserting and sealing the conduits in the masonry section, fixing the unit to the wall with pressure screws, electrical connection and positioning the external grilles. **With the 100 mm ducting kit (optional), the grilles can be installed directly from inside the house.**

For more details, please refer to the instruction manual. For improved air distribution and optimal acoustic comfort, the recommended installation position is a central point of a wall of the room to be ventilated, as high as possible (compatibly with the minimum recommended distances) and preferably in a horizontal configuration.

